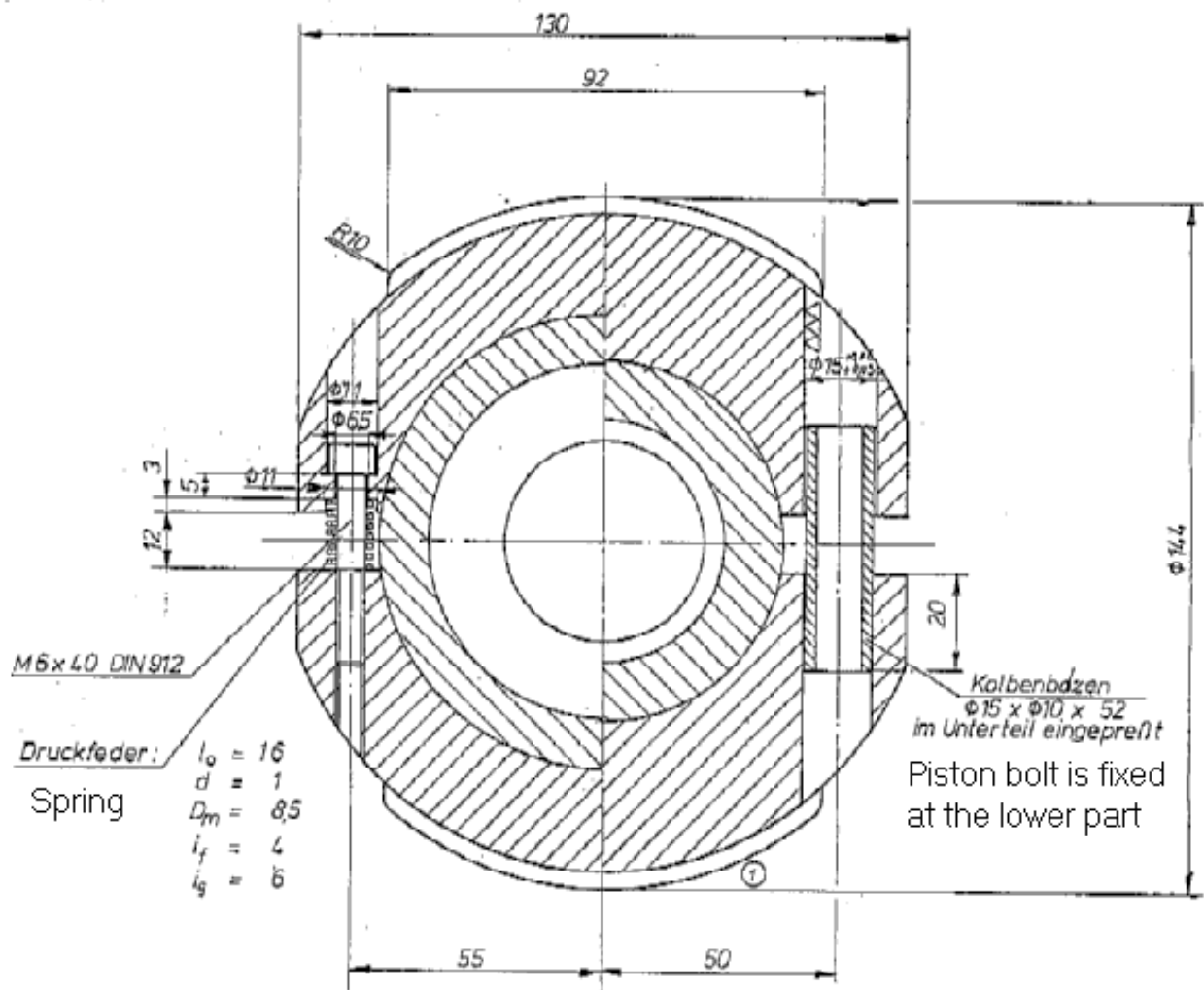


L) Taper block for stator extractor



M) Stator Extractor for motor profile 223 mm (4Z-5.2..6F-50.2)

