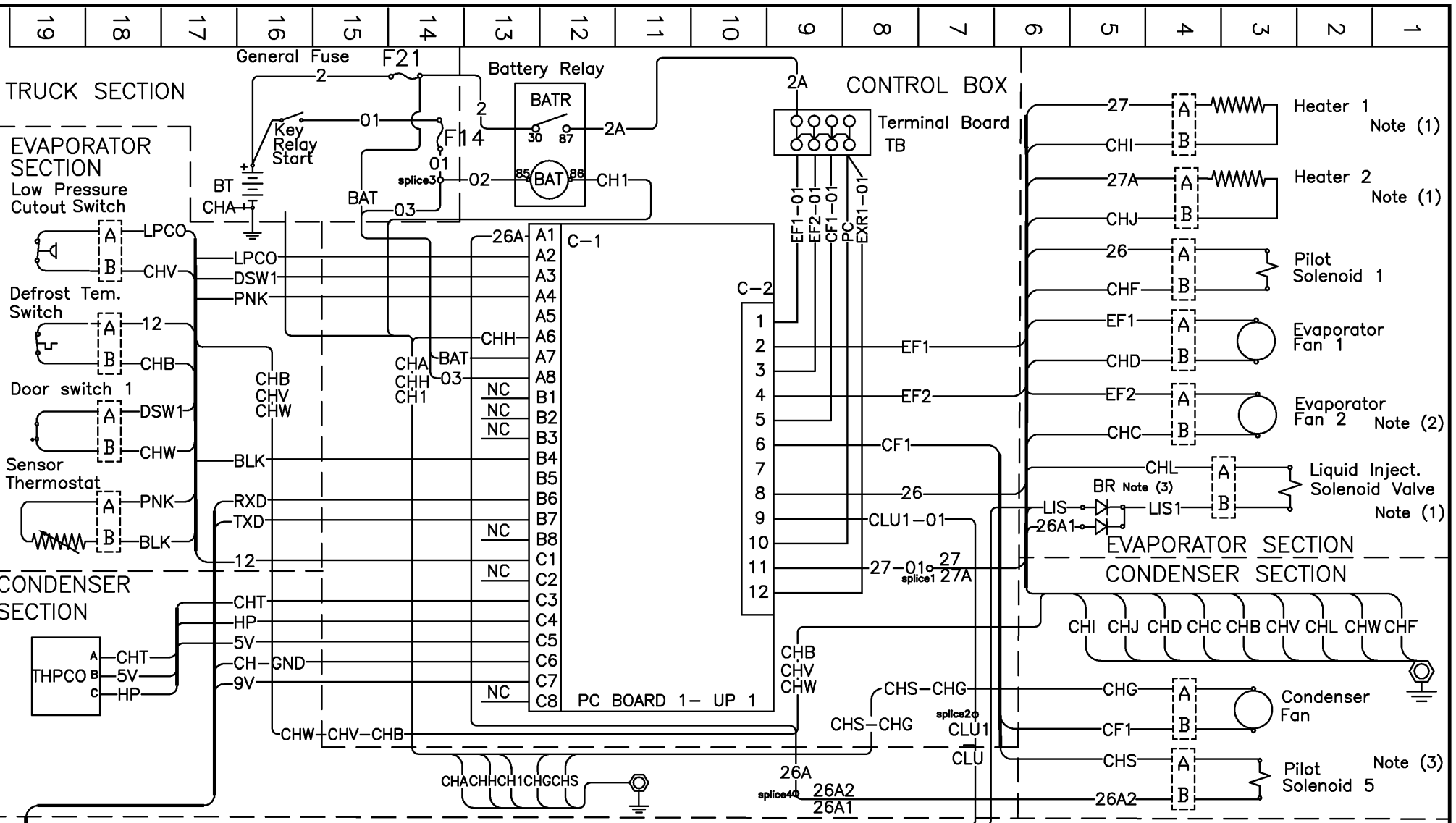


REVISIONS	
A	50400129.01.04/MF
RELEASED	
B	526948 JL 5.09.08/JG
CORRECT F21 ADD F14. UPDATE BAT CONNEXION. REMOVE DAS.	
C	545874 JL 08.11.10/MF
ADD DIODES	
D	581189 JL 08.11.11/MF
UPDATE F6 VALUE	



F21: NEAR BATTERY, IN TRUCK
(*F2,F3,F4,F5,F6: IN ELECTRIC PC BOARD)

Wire In Cab Box	Power	F21	F2	F3	F4	F5	F6	F14
TXD	12A	30A	15A	15A	15A	20A	2A	5A
RXD	24V	40A	(*)	10A	10A	10A	2A	
9V								
CH								
GND								

- Note (1): LIS, LIV and HT1,HT2 only for MAX units.
HT2: not used for ES100 evaporator.
Note (2): EF2: not used for MULTITEMP units.
EF2: not used for ES100 evaporator.
Note (3): PS5 and BR only for HEAT OPTION.
Note (4): 30A: V100 units
40A: V200/300 units

ITEM	PART NUMBER	REV.	DESCRIPTION	QTY.	MAT'L SPEC'S
LIST OF MATERIAL					
DRAWN	M.J.Nus	DATE	29_Jan_04		
CHECKED	Lorenzo G.	DATE	02_Feb_04		
APPROVED	M.J.Nus	DATE	02_Feb_04		
THIS PRINT SUPERSEDES ANY OF EARLIER DATE. DESTROY SAME.					
SCALE		MATERIAL:		FINISH:	
DIAGRAM WIRING V100/V-200/300/MAX-10/30 SINGLE TEMP 12V/24V					
SHEET 1 OF 1					
THERMO KING SUPERIOR				Ref. 1E23072	
DRAWING NUMBER				REV.	
1E23071				D	
THIS DOCUMENT CONTAINS PROPRIETARY INFORMATION OF THE THERMO KING CORPORATION. IT IS TRANSMITTED TO YOU IN CONFIDENCE AND TRUST, AND IS TO BE RETURNED UPON REQUEST. ITS CONTENTS MAY NOT BE DISCLOSED IN WHOLE OR IN PART TO OTHERS OR USED FOR OTHER THAN THE PURPOSE FOR WHICH TRANSMITTED WITHOUT THE PRIOR WRITTEN PERMISSION OF THERMO KING CORPORATION.					